

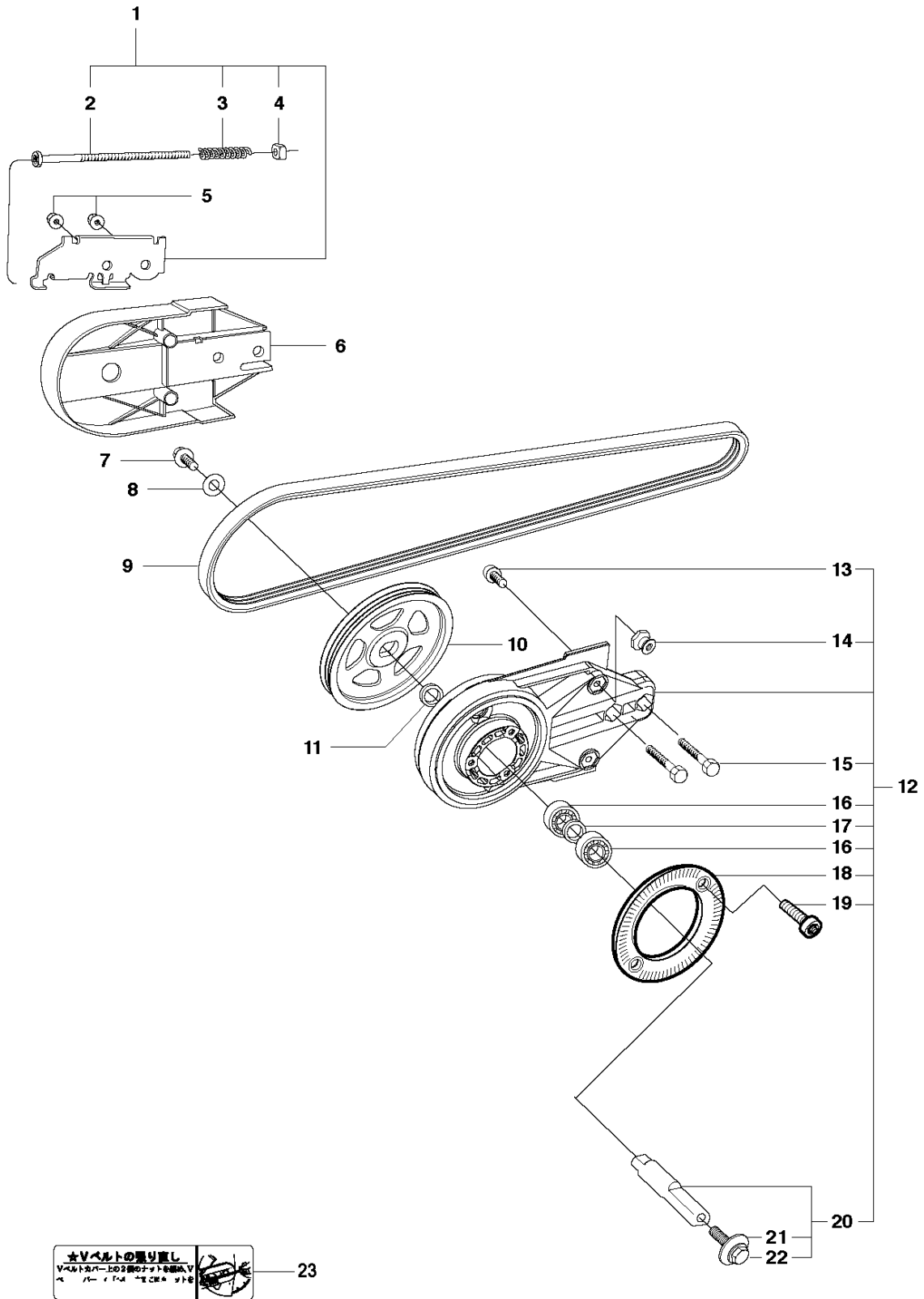


SPARE PARTS LIST

POWER CUTTERS

K2500, 2010-10

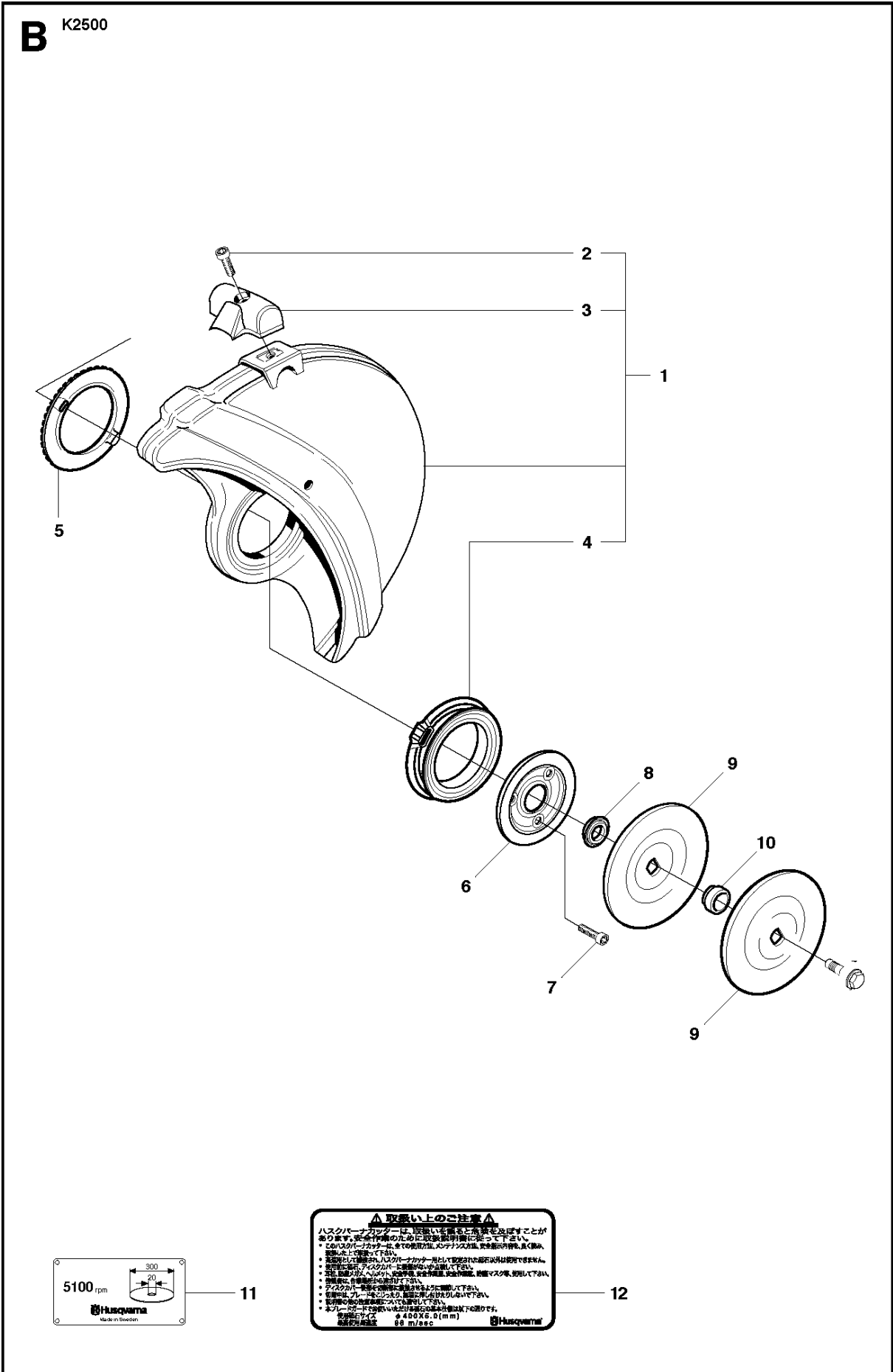
A K2500



BELT GUARD & PULLEY

K2500, 2010-10

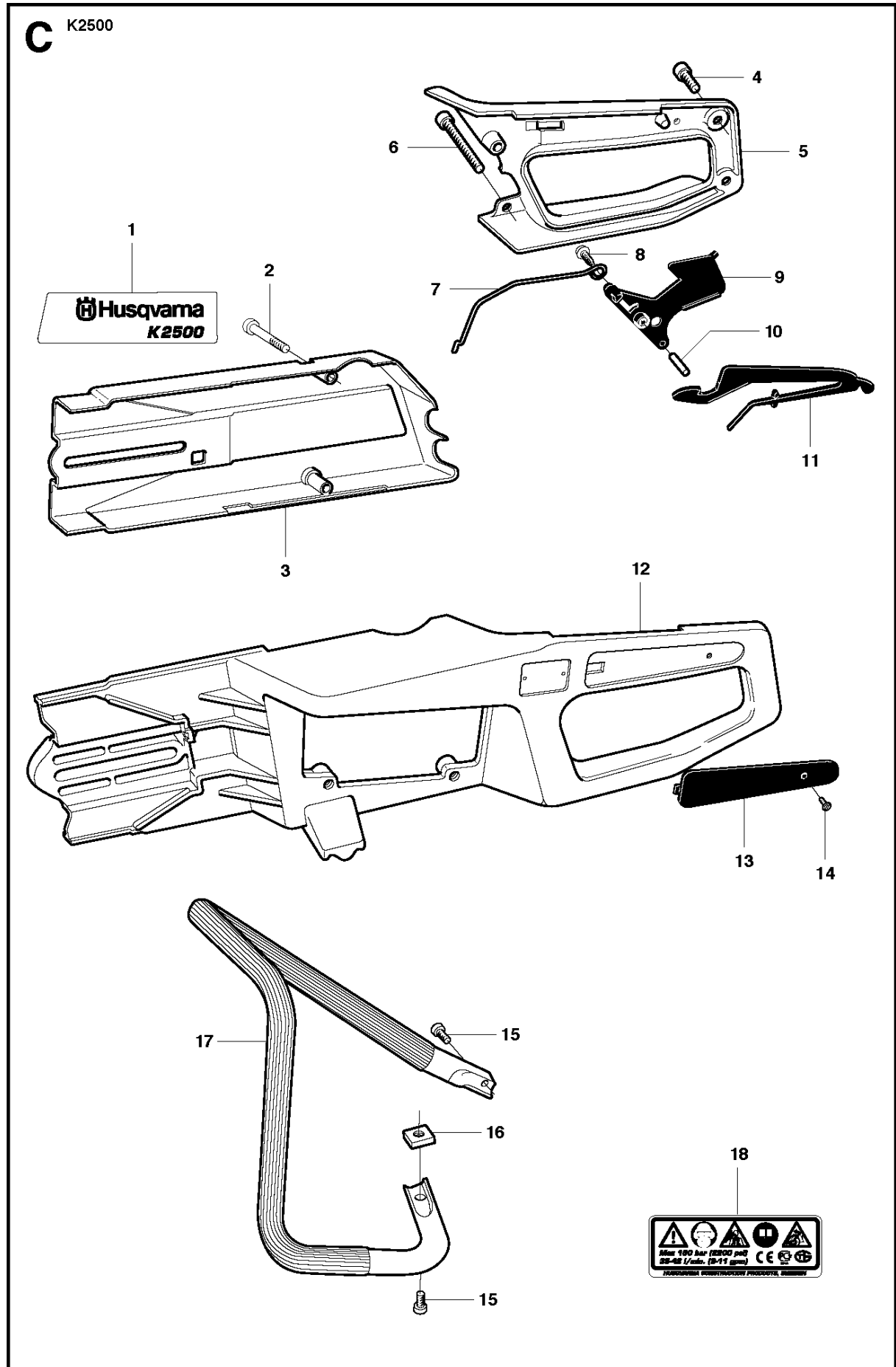
Ref	Part No	Description	Remark	QTY KIT
1	506 03 06-03	BELT TENSIONER ASSY	Incl. 2 - 4 (New Part)	1
2	503 20 72-20	SCREW CITXSCM	New Part	1
3	506 21 95-01	COMPRESSION SPRING		1
4	503 22 66-01	SQUARE NUT		1
5	503 22 00-01	HEXAGON NUT		2
6	506 09 87-02	BELT GUARD		1
7	503 20 00-45	SCREW EHHFM		1
8	503 23 01-16	WASHER		1
9	544 97 63-03	BELT		1
10	578 11 05-01	PULLEY		1
11	503 23 01-04	WASHER		1
12	506 41 34-04	BEARING HOUSING ASSY	Incl. 13 - 20 (New Part)	1
13	505 57 41-16	SCREW ITXSCM	New Part	1
14	506 14 32-01	TORSION STOP	New Part	1
15	506 03 32-02	SCREW		2
16	583 95 33-01	BALL BEARING		2
17	506 20 18-01	SPACING SLEEVE		1
18	506 28 84-01	SCREEN		1
19	503 21 53-10	SCREW ITXSCM	New Part	2
20	506 29 83-71	SHAFT	Incl. 21 - 22	1
21	506 13 95-11	WASHER		1
22	506 13 96-01	SCREW EHHFM		1
23	506 30 97-05	LABEL	Japan only (New Part)	1



BELT GUARD & PULLEY

K2500, 2010-10

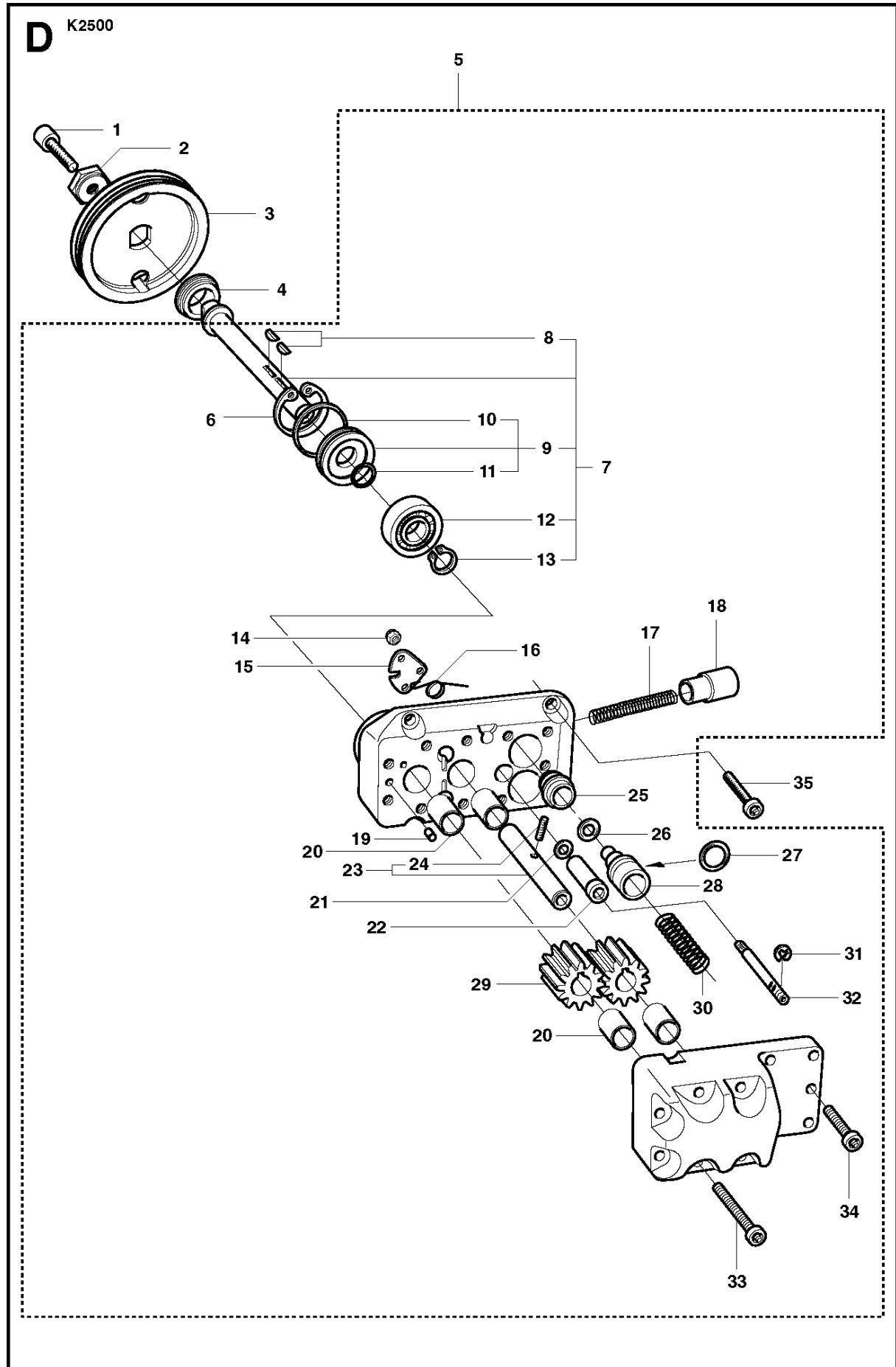
Ref	Part No	Description	Remark	QTY KIT
1	506 34 05-46	BLADE GUARD	Incl. 2 - 4	1
2	503 21 53-20	SCREW ITXSCM		1
3	506 34 46-02	HANDLE		1
4	506 26 63-02	LINING		1
5	506 26 64-01	SCREEN		1
6	506 26 65-01	FLANGE		1
7	505 57 41-16	SCREW ITXSCM	New Part	3
8	506 32 48-01	SUPPORT FLANGE		1
9	506 02 87-01	FLANGE WASHER	Diam 105mm	1
9	506 07 09-01	FLANGE WASHER	Diam 119mm	1
10	506 37 96-20	KIT	Diam 20mm	1
10	506 37 96-22	KIT	Diam 22,2mm	1
10	506 37 96-25	KIT	Diam 25,4mm	1
10	506 02 88-30	BUSHING	Diam 30,5mm	1
11	506 28 41-22	LABEL	Diam 20mm	1
11	506 28 41-24	LABEL	Diam 25,4mm	1
12	576 12 10-03	DECAL	"16"" , Japan only (New Part)"	1



CHASSIS / FRAME

K2500, 2010-10

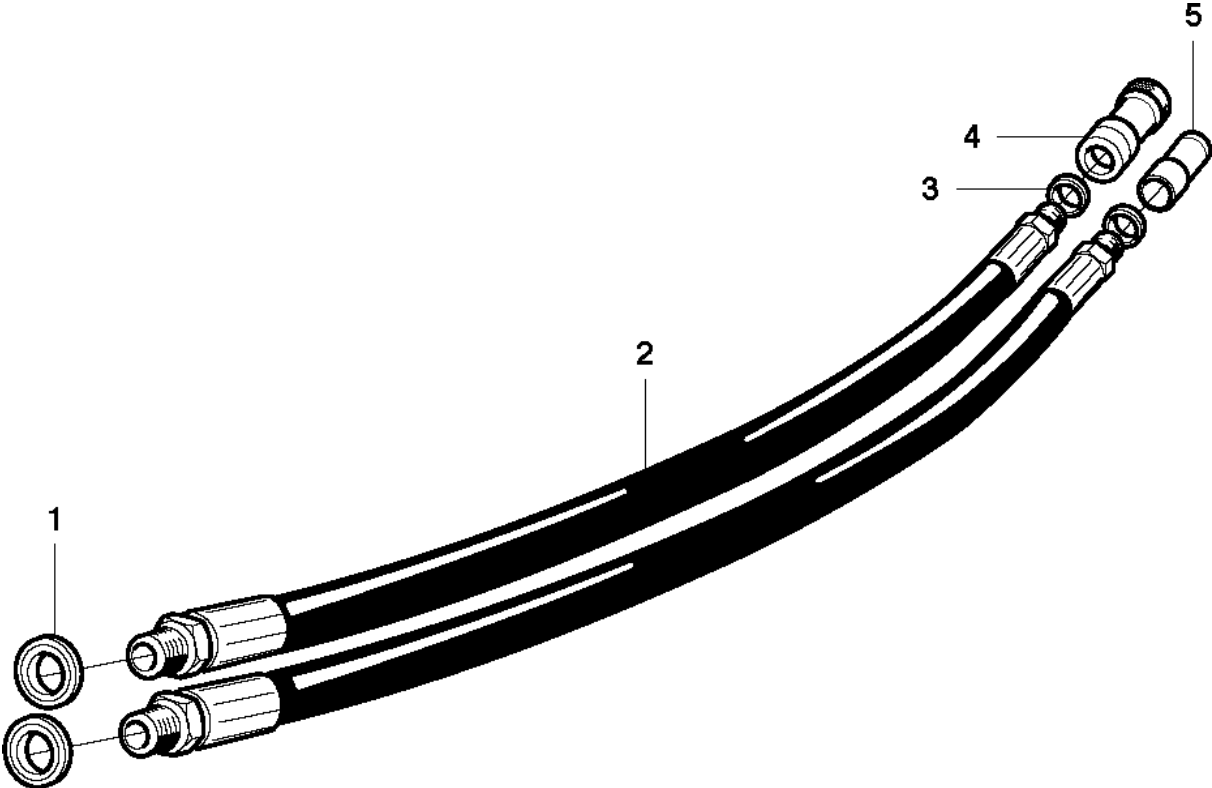
Ref	Part No	Description	Remark	QTY KIT
1	544 87 27-01	LABEL		1
2	503 21 53-41	SCREW ITXSCM	New Part	2
3	506 20 28-02	BELT GUARD		1
4	505 57 41-16	SCREW ITXSCM	New Part	2
5	506 20 16-02	HANDLE HALF		1
6	503 21 53-49	SCREW ITXSCM	New Part	1
7	506 20 33-02	THROTTLE ROD		1
8	503 21 28-10	SCREW CCRPANT		1
9	506 20 34-03	THROTTLE TRIGGER		1
10	720 13 10-00	PARALLEL PIN		1
11	506 01 45-06	THROTTLE LOCKOUT		1
12	506 20 36-02	CHASSIS		1
13	501 62 89-09	HANDLE INSERT		2
14	724 32 19-05	SCREW		2
15	503 21 53-16	SCREW ITXSCM	New Part	2
16	503 22 65-04	SQUARE NUT		1
17	506 20 29-03	FRONT HANDLE		1
18	544 87 32-01	DECAL	New Part	1



HYDRAULIC PUMP - MOTOR

K2500, 2010-10

Ref	Part No	Description	Remark	QTY	KIT
1	544 21 84-30	SCREW ITXSCM	New Part	1	
2	504 03 83-01	SPACING SLEEVE	New Part	1	
3	544 98 09-01	PULLEY		1	
4	506 20 27-02	SUPPORT FLANGE		1	
5	544 88 66-12	HYDRAULIC MOTOR		1	
6	735 31 31-10	CIRCLIP		1	5
7	506 34 67-15	KIT		1	5
8	735 88 06-00	WOODRUFF KEY		2	5, 7
9	506 30 11-14	SEALING		1	5, 7
10	506 11 03-01	O-RING		1	5, 7, 9
11	503 26 30-28	O-RING		1	5, 7, 9
12	738 22 01-25	BALL BEARING		1	5, 7
13	735 31 14-00	CIRCLIP		1	5, 7
14	732 25 12-01	HEXAGON LOCKING NUT		1	5
15	506 20 31-01	LEVER		1	5
16	506 20 38-01	SPRING		1	5
17	506 21 83-01	SPRING		1	5
18	506 21 82-01	PLUNGE		1	5
19	501 27 08-01	GUIDE BUSHING		1	5
20	506 11 05-01	BEARING		4	5
21	740 43 02-00	O-RING		1	5
22	506 21 60-01	VALVE SLEEVE		1	5
23	506 32 00-02	SHAFT		1	5
24	503 24 07-01	PARALLEL PIN		1	5, 23
25	506 21 85-01	VALVE SEAT		1	5
26	740 42 03-00	O-RING		1	5
27	740 43 11-00	O-RING		1	5
28	506 21 80-01	VALVE CONE		1	5
29	506 22 96-09	GEAR WHEEL		2	5
30	506 21 81-01	SPRING		1	5
31	735 31 08-20	E-CLIP		1	5
32	506 21 59-01	VALVE SPINDLE		1	5
33	503 21 53-45	SCREW ITXSCM	New Part	6	5
34	503 21 53-21	SCREW ITXSCM	New Part	5	5
35	503 21 53-20	SCREW ITXSCM	New Part	4	

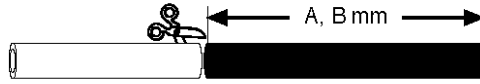


HOSE

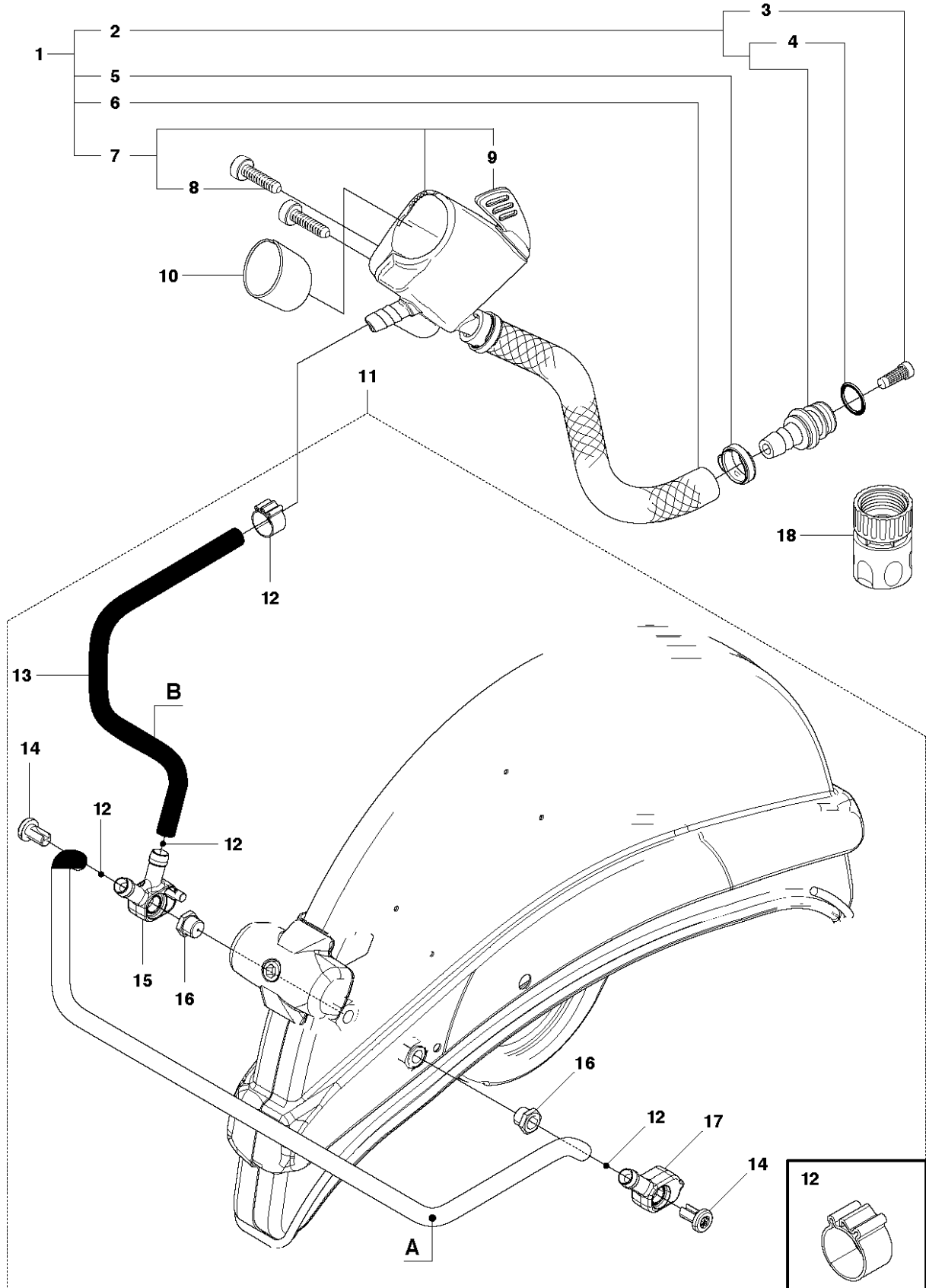
K2500, 2010-10

Ref	Part No	Description	Remark	QTY KIT
1	740 38 27-01	SEALING WASHER		2
2	506 10 95-02	HYDRAULIC HOSE		2
3	740 38 34-01	SEALING WASHER		2
4	506 10 96-21	QUICK COUPLING		1
5	506 10 98-21	QUICK COUPLING		1

F K2500



	A (mm)	B (mm)
K2500	230	320

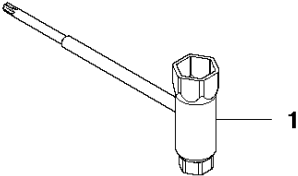


WATER HOSE KIT

K2500, 2010-10

Ref	Part No	Description	Remark	QTY KIT
1	505 09 55-01	HOSE KIT		1
2	506 29 57-02	NIPPLE	Incl. 2, 5 - 7 (New Part)	1
3	506 29 88-01	FILTER	Incl. 3, 4	1
4	505 10 35-01	O-RING		1
5	506 49 87-02	HOSE CLAMP		2
6	506 60 75-01	HOSE		1
7	506 38 60-12	VALVE ASSY	Incl. 8	1
8	503 21 54-20	SCREW ITXSCT	New Part	2
9	505 52 42-01	VALVE SPINDLE	New Part	1
10	544 92 68-01	INTERLAYER	New Part	1
11	505 09 54-01	HOSE KIT	Incl. 11 - 16	1
12	506 49 87-01	HOSE CLAMP		4
13	506 60 68-06	HOSE	620 mm	1
14	504 63 46-01	SCREW ITXSCM		2
15	504 63 44-01	HOUSING		1
16	504 63 42-01	NIPPLE		2
17	504 63 45-01	HOUSING		1
18	503 26 60-03	COUPLER	1 USA, Canada	1
18	503 26 60-04	COUPLER		1

G K2500
Accessories
Zubehöre
Accessoires
Acessorios
Tillbehör



ACCESSORIES

K2500, 2010-10

Ref	Part No	Description	Remark	QTY KIT
1	506 38 26-01	TOOL		